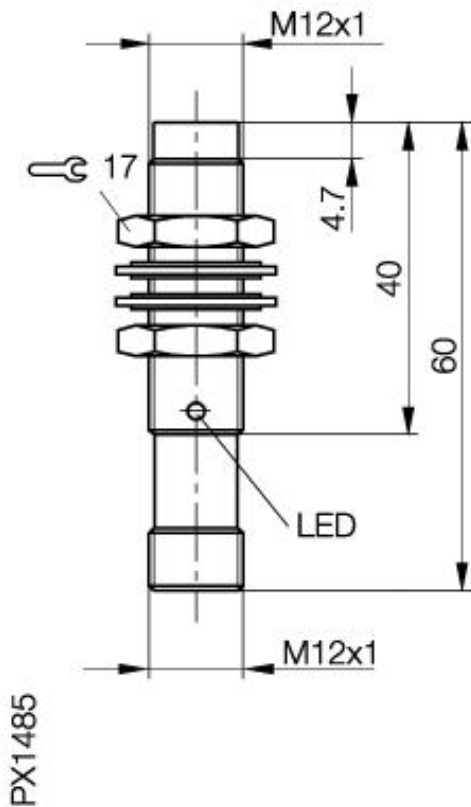


Inductive Sensors
BES M12MF1-PSC10F-S04G
M12x1 x 60
normally-open
Sn=10mm
unshielded



Common Data

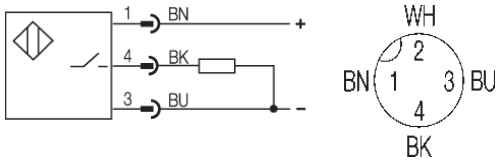
Product name	SuperG
Mounting in steel	unshielded
Rated operating distance Sn	10mm
Assured operating distance Sa	0...8.1mm
Repeatability R	≤ 5%
Function indication	yes
Ambient temperature range	-25...+70°C

Mechanical Data

Measurements BxHxT or DxT	M12x1 x 60mm
Housing material	CuZn chrome plated
Material of sensing face	PBT
Degree of protection	IP67IP
Connection	Connector S4 (M12)
Schock: Halfsinus, 30 gn, 11ms	
Vibration: 55 Hz, 1mm Amplitude, 3 x 30 Minutes	

Electrical Data

Current type	DC
Wiring	3-Wire
switching function	normally-open
Output signal	PNP
Rated operational voltage	24 DCV
Rated operational current	200mA
Supply voltage	10...30 DCV
max. switching frequency	400Hz
No-load supply current	≤ 10mA
Off-state current	≤ 100µA
Voltage drop	≤ 2V
Short circuit protection	yes
Protected against polarity reversal	yes



Utilization categories
 Insulation class

DC 13

Datasheet number:

Definitions see general catalog.
 If not otherwise noted, ratings according to
 IEC 60947-5-2 (DIN EN60947-5-2)

Balluff GmbH
 Schurwaldstrasse 9
 73765 Neuhausen a.d.F.
 Phone (07158) 173-0 Fax (07158) 5010

Datenblatt by CD-ROM - 04/2007

